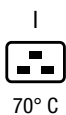


## IEC Plug I, Cord Connector (Rewireable), Straight

**Description**

Screwing cable terminal, Plug, Pin temperature 70 °C, Protection class I, Screw clamps  
 - Note: strain relief has to be ordered separately, mating strain reliefs please find under accessories

**Approvals**

- CSA File Number: 1435558

**References**

We recommend for new applications the type 4796  
 Last order possibility: 31.05.2011

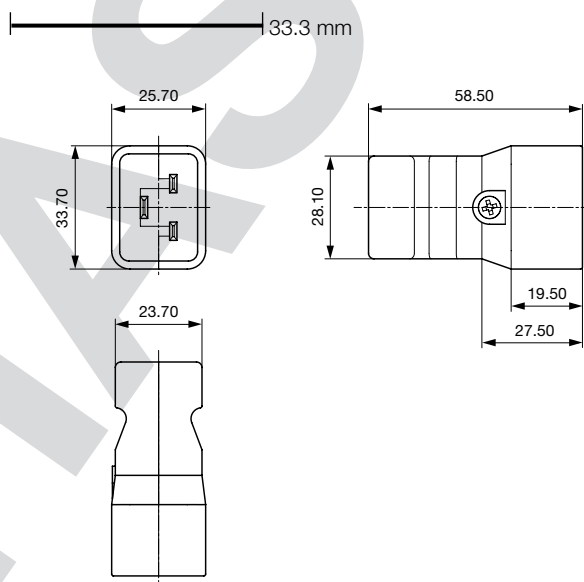
**Weblinks**

[pdf](#), [html](#), [General Product Information](#), [Approvals](#), [RoHS](#), [CHINA-RoHS](#), [Mating Connectors](#), [e-Shop](#), [SCHURTER-Stock-Check](#), [Distributor-Stock-Check](#), [Accessories](#), [Detailed request for product](#)

**Technical Data**

Ratings IEC	16 A / 250 VAC; 50 Hz
Ratings UL/CSA	21 A / 250 VAC; 60 Hz
Dielectric Strength	> 4 kVAC between L-N > 2 kVAC between L/N-PE (1 min/50Hz)
Allowable Operation Temp.	-25 °C to 70 °C
Degree of Protection	from front side IP 40 acc. to IEC 60529
Protection Class	Suitable for appliances with protection class 1 acc. to IEC 61140
Terminal	Bolts and nuts
Material: Housing	PA6, black / grey / white, UL 94V-0

Plug	I acc. to IEC/EN 60320-1 UL 498, CSA C22.2 no. 42 (for cold conditions) pin-temperature 70 °C, 16A, Protection Class 1
------	---

**Dimensions**

## Config. Code

1612 - H - A B C 0 - D - E J

The characters are placeholders for the correspondingly keys of selections from the key tables.

1612 - **H** - A B C 0 - D - E J = Type

Type	Configuration key
protection class 1	X

1612 - H - **A** B C 0 - D - E J = Terminals

Terminal L	Configuration key
screw terminal	A

1612 - H - A **B** C 0 - D - E J = Terminals

Terminal N	Configuration key
screw terminal	A

Symbols similar as in table A

1612 - H - A B **C** 0 - D - E J = Terminals

Terminal Ground	Configuration key
screw terminal	A

Symbols similar as in table A

1612 - H - A B C 0 - **D** - E J = Color

Color	Configuration key
Black	A
Grey	B
White	D

1612 - H - A B C 0 - D - **E** J = Style

Style	Configuration key
for cord assembly	8

1612 - H - A B C 0 - D - E **J** = Condition

Condition	Configuration key
assembled	1
disassembled	2

**Packaging unit** 50 Pcs

## Accessories

### Description



[4311.0053](#)  
PVC Strain Relief for cable outside diameter 8.7mm, 3 x 16AWG



[4311.0068](#)  
PVC Strain Relief for cable outside diameter 10mm, 3 x 14AWG



[4311.9305](#)  
PVC Strain Relief for cable outside diameter 8.7mm-10mm, 3 x 14AWG

## Description



4311.9306  
PVC Strain Relief for cable outside diameter 8.7mm-10mm, 3 x 14AWG



4311.9316  
PVC Strain Relief for cable outside diameter 8.7mm, 3 x 16AWG



4311.9317  
PVC Strain Relief for cable outside diameter 8.7mm, 3 x 16AWG



4311.9318  
PVC Strain Relief for cable outside diameter 10mm, 3 x 14AWG



4311.9319  
PVC Strain Relief for cable outside diameter 10mm, 3 x 14AWG

## Mating Outlets/Connectors

## Category / Description

[Appliance Outlet Overview complete](#)



IEC Appliance Outlet J, Screw-on Mounting, Front Side, Solder or Quick-connect Terminal	0723
IEC Appliance Outlet J, Snap-in Mounting, Front Side, IDC Terminal	4710
IEC Appliance Outlet J, Snap-in/Screw-on Mounting, Front Side, Solder or Quick-connect Terminal	4797
IEC Appliance Outlet J, Snap-in Mounting, Front Side, Quick-connect Terminal	5013
IEC Appliance Outlet J, Screw-on Mounting, Front Side, Quick-connect Terminal	5016

[Appliance Outlet further types to1612](#)

...

## Connector Overview complete



IEC Connector C19, Rewireable, Straight	0104
IEC Connector C19, Rewireable, Straight	0104U
IEC Connector C19, Rewireable, Angled	1651
IEC Connector C19, Rewireable, Straight	1652
IEC Connector C19, Rewireable, Angled	4790
Connector further types to1612	...

PHASE-OUT