

SKD house connection box 25A, D II (gG)



SKD 25A DII  
 Double Straps

See below:  
[Approvals and Compliances](#)

**Description**

- Glass fiber Polyester
- Difficult to burn
- Impact resistant IK07 (2J)
- Outside earth permanently mounted
- For indoor and outdoor
- For fixed installation

**Unique Selling Proposition**

- Additional protection for terminal covers
- Fuse element + neutral disconnecter with double straps, input side (4-wire system), tested for aluminium cable

**Characteristics**

- Mounting and connection convenience thanks two-piece housing
- Bolt lock (4-kant with Slot)
- Protection 2-piece snap, transparent and sealable
- N-connector for TN-C to TN-S
- N-connector separating Piece self-opening when loosening the screw
- Earthing clamp for max 50mm<sup>2</sup> copper cable

**References**

custom specific versions on request  
 Alternative: Other rated current

**Weblinks**

[pdf data sheet](#), [html datasheet](#), [Detailed request for product](#)

**Customer Specific Solutions**

The fresh design and the strikingly smaller installation depth of 2 cm immediately attract attention the first time you look at the house connection box. The new interior is protected by the cover with a square bolt lock with slot. The internal contact protection of the SKD house connection box is provided by snap-on, transparent and lockable inner covers, which can be removed without tools. Of course, the SKD house connection box is also well prepared for the future of the grid. The SKD is also equipped for 3-pole switching elements or 1-pole high-performance automatic switches.



The inlet and outlet covers can be easily sealed.



Cover panels



NH fuses Voltage testing of NH fuses with non-insulated handles possible through hinged window

**Technical Data**

Rated Current Ie	25A @ 500VAC
Rated voltage Ue	500VAC
Rated isolation voltage Ui	1000VAC
Rated Power Operating Frequency fe	50Hz
Rated diversity factor RDF	0.8

Rated Impulse Withstand Voltage Uimp	6kV
Conditioned Rated Short Circuit Current	50kA @ 500VAC
Rated short-time withstand current with fuse links	20kA @ 500VAC
Allowed Ambient Temperature	-25°C to +40°C acc. to IEC 61439
Protection by closed housing	IP54 acc. to IEC 60529
Pollution Degree	3

**Terminals**

Element with Double Straps	6 - 25mm <sup>2</sup>
Neutral Disconnecter with Double Straps	6 - 25mm <sup>2</sup>

Earth Connection Bride	6 - 25mm <sup>2</sup>
Earth Connection (outside)	M8

**Approvals and Compliances**

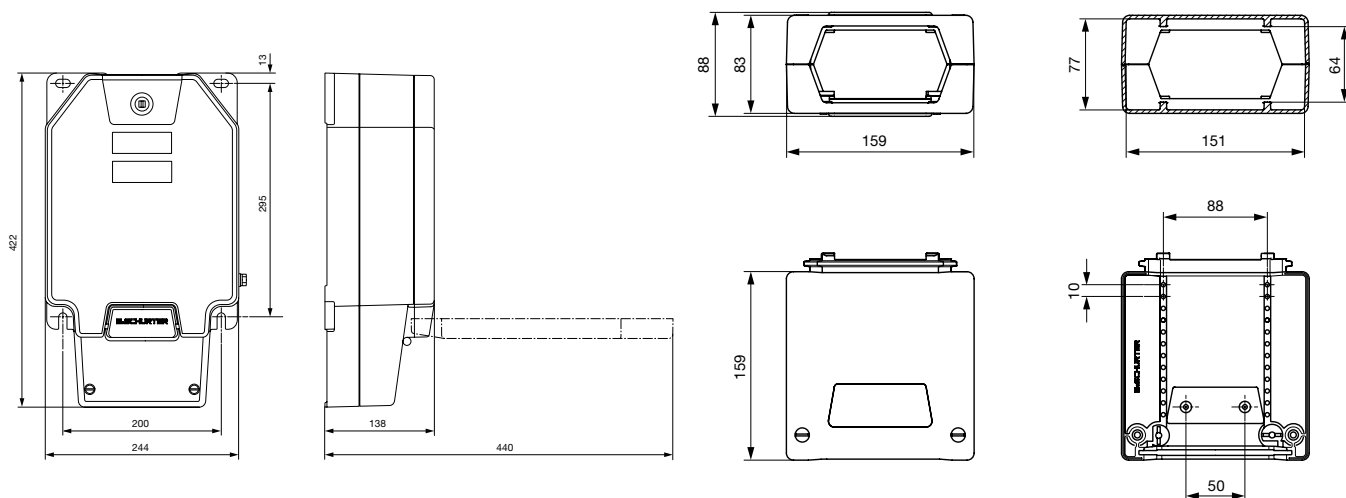
Detailed information on product approvals, code requirements, usage instructions and detailed test conditions can be looked up in [Details about Approvals](#)

## Compliances

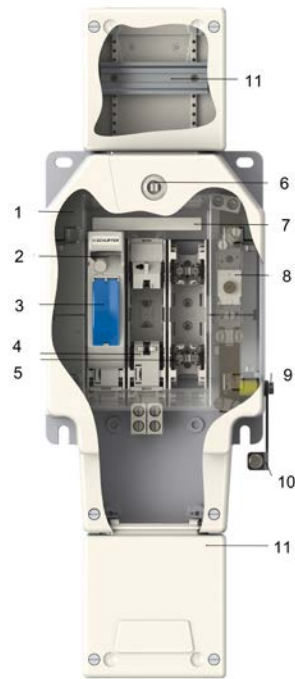
The product complies with following Guide Lines

Identification	Details	Initiator	Description
CE	<a href="#">CE declaration of conformity</a>	SCHURTER AG	The CE marking declares that the product complies with the applicable requirements laid down in the harmonisation of Community legislation on its affixing in accordance with EU Regulation 765/2008.
REACH	<a href="#">REACH</a>	SCHURTER AG	On 1 June 2007, Regulation (EC) No 1907/2006 on the Registration, Evaluation, Authorization and Restriction of Chemicals 1 (abbreviated as "REACH") entered into force.

## Dimensions [mm]



Assembly Instructions

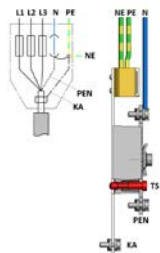


1. two-part cover plates, snapped, transparent and sealable
2. NH fuse switch disconnectors
3. hinged window
4. internal covers
5. different connection variants- Prismabride- Cable lug M8- Double terminals
6. Square lock
7. marking strips
8. neutral conductor isolator for TN-S/TN-C
9. external ground connection permanently mounted
10. Earth bracket (optional)
11. expansion module with DIN rail (optional)
12. 63A- Fuse element with touch protection and various connection variants



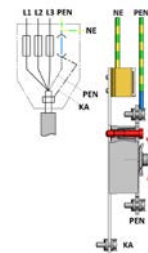
Diagrams

TN-S (delivered condition)



- L = Pole conductor
- PE = Protective conductor
- N = Neutral conductor
- NE = Neutral earth conductor
- TS = Separating screw
- KA = Cable armor

TN-C



- L = Pole conductor
- PEN = PEN conductor
- N = Neutral conductor
- NE = Neutral earth conductor
- TS = Separating screw
- KA = Cable armor

All SKD house connection boxes from SCHURTER AG are equipped with the versatile neutral conductor isolator. The neutral conductor isolator is suitable for use in networks with earthing according to the TN-S and TN-C diagrams. The connection type can be changed by simply repositioning the separating screw.

## All Variants

Designation	Equipped	Terminal	Order Number	E-No.
SKD 25A DII+0+E	-	Straps	3-140-148	-
SKD 25A DW DII+0+E	-	Double Terminal	3-142-215	-

Availability for all products can be searched real-time: <https://www.schurter.com/en/Stock-Check/Stock-Check-SCHURTER>

## Packaging unit

1 Pcs

## Accessories

### Description



[Cover\\_Plates\\_25\\_63A](#)  
 Cover Plates for SKD 25A and 63A



[Fuse\\_element\\_25\\_63A](#)  
 Fuse Element for SKD 25A and 63A



[Terminal\\_Cover](#)  
 Terminal cover for SKD 25A, 63A and 160A



[Covers\\_SKD\\_25\\_60\\_160\\_A](#)  
 Covers for SKD 25A, 63A and 160A



[Cable\\_Bride](#)  
 Cable Bride for SKD 25A, 63A and 160A

Description



Rubber  
Rubber for SKD 25A, 63A and 160A



Expansion\_Module  
Expansion Module for SKD 25A, 63A and 160A



Earth\_Clip  
Earth Clip for SKD 25A, 63A and 160A



N-Conductor  
N-Conductor for SKD 25A, 63A and 160A