

## Interconnection Cord with IEC Plug A, Angled

**Description**

Interconnection Cord, Protection class I, Pin temperature 70 °C, Cable

**Approvals**

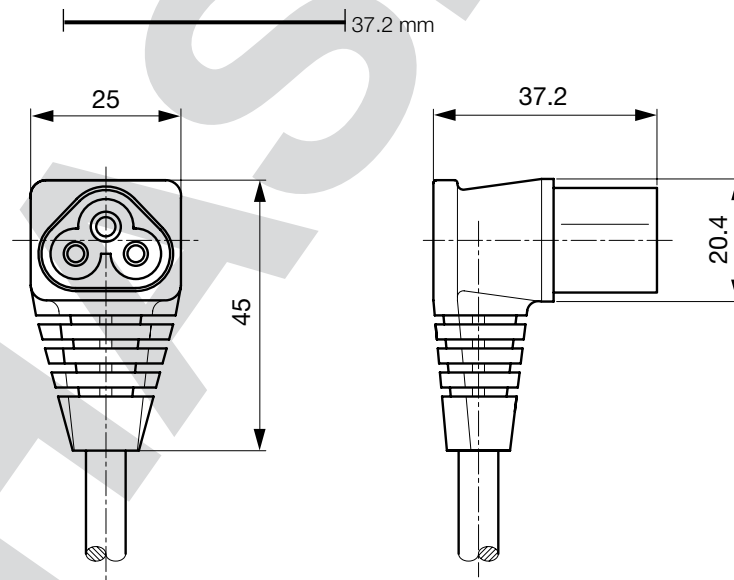
- VDE Certificate Number: 115739
- UL File Number: E45116
- CSA File Number: 1020530

**Weblinks**

[pdf](#), [html](#), [General Product Information](#), [Approvals](#), [RoHS](#), [CHINA-RoHS](#), [Mating Connectors](#), [e-Shop](#), [SCHURTER-Stock-Check](#), [Distributor-Stock-Check](#), [Accessories](#), [Detailed request for product](#)

**Technical Data**

|                           |   |      |   |
|---------------------------|---|------|---|
| Ratings IEC               | 2.5 A / 250 VAC; 50 Hz  | Plug | A acc. to IEC/EN 60320-1<br>UL 498, CSA C22.2 no. 42 (for cold conditions) pin-temperature 70 °C, 2.5 A, Protection Class 1 |
| Ratings UL/CSA            | 2.5 A / 250 VAC; 60 Hz  |      |   |
| Dielectric Strength       | > 4 kVDC between L-N<br>> 2 kVAC between L/N-PE<br>(1 min/50 Hz)  |      |   |
| Allowable Operation Temp. | -25 °C to 70 °C   |      |   |
| Degree of Protection      | from front side IP 20 acc. to IEC 60529                           |      |   |
| Protection Class          | Suitable for appliances with protection class 1 acc. to IEC 61140 |      |   |
| Terminal                  | moulded   |      |   |
| Material: Housing         | PVC, black or grey  |      |   |

**Dimensions**

## Config. Code

### 2705 - R - Type - D - Length

The characters are placeholders for the correspondingly keys of selections from the key tables.  
Typ steht für die Dose bzw. 2. Seite, Länge ist die Leitungslänge in mm.

### 2705 - R - Type - D - Length = cord type

| cord type                     | Configuration key |
|-------------------------------|-------------------|
| H03VV-F 3G0,75mm <sup>2</sup> | C                 |
| H05VV-F 3G0,75mm <sup>2</sup> | G                 |
| SVT 3x18AWG                   | N                 |
| SJT 3x18AWG                   | P                 |

Cord definition is detailed in general product information XXX

### 2705 - R - Type - D - Length = Cord end 2

| Cord end 2 |
|------------|
| zzzz, 2512 |

### 2705 - R - Type - D - Length = Color

| Color | Configuration key |
|-------|-------------------|
| Black | A                 |
| Grey  | B                 |

### 2705 - R - Type - D - Length = Cord length

| Cord length  |
|--|
| zzzz, 000500, 001000, 001500, 002000, 002500, 003000, 005000 |

Cord length in mm

## Mating Outlets/Connectors

### Category / Description



[Connector Overview complete](#)

|  |      |
|--|------|
| IEC Appliance Outlet B, Screw-on Mounting, Front Side, Solder Terminal | 5888 |
|--|------|

[Connector further types to2705](#)



[Power Cord Overview complete](#)

|  |      |
|--|------|
| Power Cord with IEC Connector C5, Angled | 2512 |
|--|------|

|  |      |
|--|------|
| Power Cord with IEC Connector C5, Straight | 2530 |
|--|------|

[Power Cord further types to2705](#)