

DATA RSS, RSM, RSL ROCKER SWITCHES-LATCHING ACTION

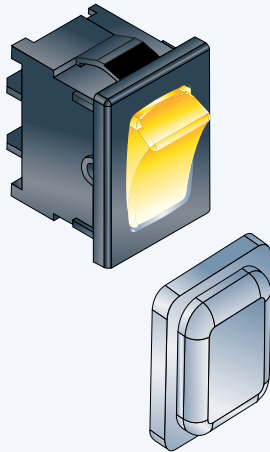
BENEFITS

- Absolute reliability and simple assembly
- Short lead time for all standard types
- Excellent price/performance ratio
- Various lettering options
- 1-pole and 2-pole versions, manufactured using high-quality materials

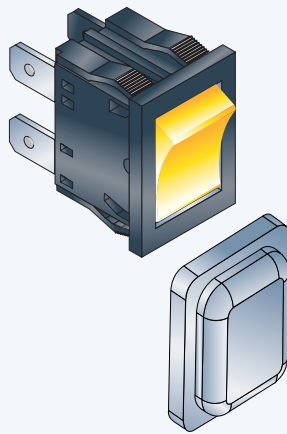
	RSS/RSM	RSL
Electrical data		
Switching capacity max.	10(4) A 250 V ~ 6(4) A 250 V ~ 5E4	16(6) A 250 V ~ 10(4) A 250 V ~ 5E4
Switching capacity max.	10A/125 - 250 V AC 1/2HP 250 V AC 1/3HP 125 V AC	16A 250 V AC 3/4HP 250 V AC 20A 125 V AC 1/3HP 125 V AC
Ambient temperature max.	T120 / 55 T65	T120 / 55 T65
Lifetime electrical	[cycles] 5E4 [cycles]	10,000 50,000
Insulation resistance	[MΩ]	> 10
Contact resistance	[mΩ]	< 50
Contact opening	[mm]	> 3
Creeping current resistance		PTI 250
Mechanical data		
Cover	IP 44	IP 65
Class of appliance	II	II
Lifetime mechanical	[operations]	> 50,000
Degree of protection	IP 40	IP 40
Other data		
Flammability rating	UL 94 V-2	UL 94 V-2
According Norm	IEC/EN 61058-1 UL 1054	IEC/EN 61058-1 UL 1054
Packaging		
loose in boxes	x	x

DIMENSIONS RSS, RSM, RSL ROCKER SWITCHES—LATCHING ACTION

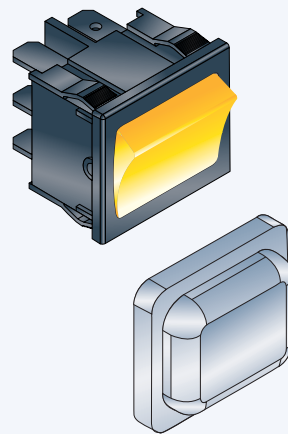
CONSTRUCTION



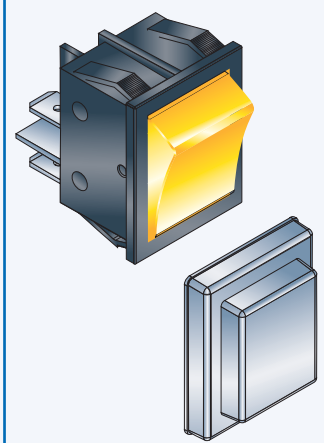
RSS 1 pole



RSS 2 pole

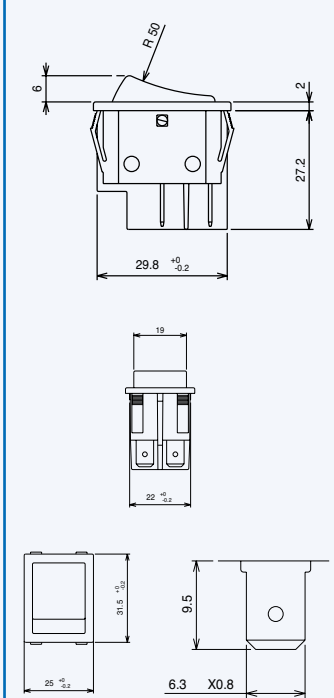
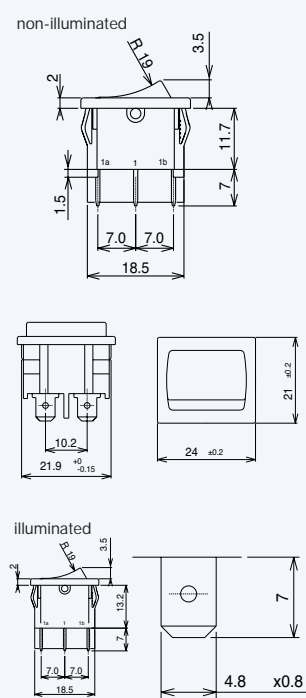
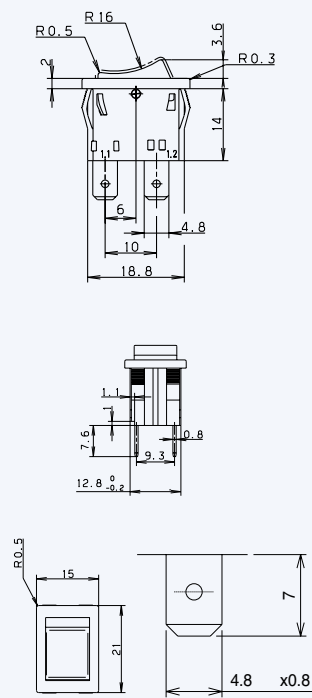
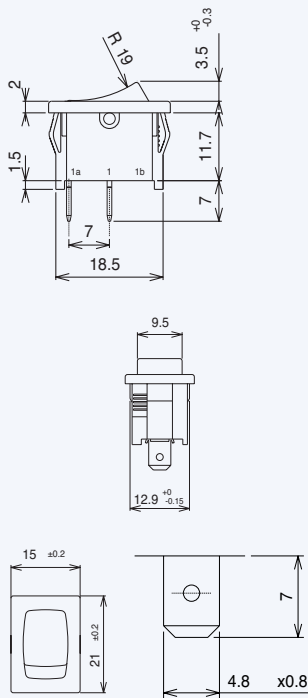


RSM

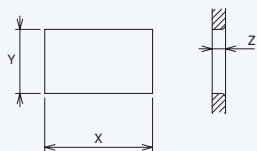


RSL

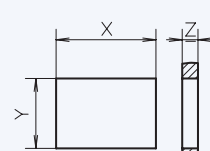
DIMENSIONS



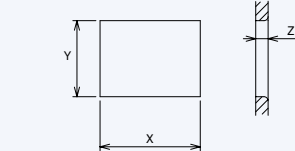
MOUNTING



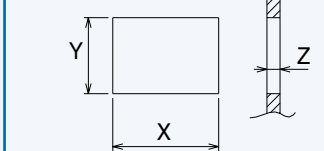
Z	Y	X
0.75-1.25	13.0 $^{+0.1}_0$	19.0 $^{+0.2}_0$
1.25-2	13.0 $^{+0.1}_0$	19.3 $^{+0.2}_0$
2-3	13.0 $^{+0.1}_0$	19.6 $^{+0.2}_0$



Z	Y	X
0.7...1.25	13.0 ± 0.1	19.1 ± 0.1
1.25...2.0	13.0 ± 0.1	19.4 ± 0.1
2.0...3.0	13.0 ± 0.1	19.7 ± 0.1



Z	Y	X
0.75-1.25	22.0 $^{+0.1}_0$	19.0 $^{+0.2}_0$
1.25-2	22.0 $^{+0.1}_0$	19.3 $^{+0.2}_0$
2-3	22.0 $^{+0.1}_0$	19.6 $^{+0.2}_0$



Z	Y	X
0.75-1.25	22.0 $^{+0.2}_0$	30.0 $^{+0.1}_0$
1.25-2	22.0 $^{+0.2}_0$	30.2 $^{+0.1}_0$
2-3	22.0 $^{+0.2}_0$	30.6 $^{+0.2}_0$
3-4	22.0 $^{+0.2}_0$	30.8 $^{+0.2}_0$

OVERVIEW RSS, RSM, RSL ROCKER SWITCHES—LATCHING ACTION



All types are lettered to describe the switch state (see product photo).

RSS

RSM

RSL

FEATURES

Terminals	Quick-connect terminals 4.8 mm x 0.8 mm	Quick-connect terminals 4.8 mm x 0.8 mm	Quick-connect terminals 6.3 mm x 0.8 mm
PART NUMBER			
1 pole non-illuminated			
Actuator colour: black	1301.9206		
red	1301.9208		
2 pole non-illuminated			
Actuator colour: black	1301.9213	1301.9202	1301.9222
red			1301.9221
2 pole illuminated			
Actuator colour: red		1301.9201	1301.9224
green	1301.9211	1301.9212	1301.9215
Cover, transparent			
Degree of protection IP 65			1301.9214
Degree of protection IP 44	* 1301.9209	* 1301.9210	

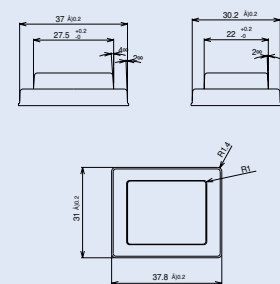
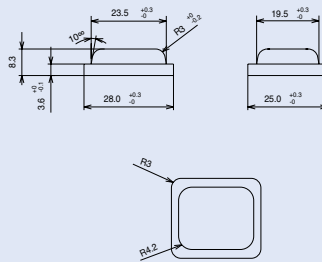
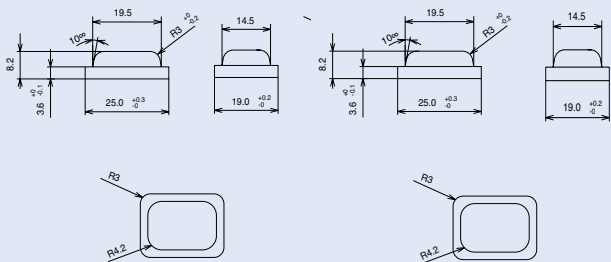
Dimensions:

RSS 1 pole:

RSS 2 pole:

RSM:

RSL:



* Degree of protection IP 65 on request