

IEC Appliance Inlet C14/C18, Snap-in Mounting, Front Side, Solder or Quick-connect or Screw-on Terminal



C14



70° C

C18



70° C

**Description**

- Panel Mount:
 - Snap-in version, Frontside
- Appliance Inlet, Pin temperature 70 °C, protection class I or II
- Solder, Quick Connect or Screw Terminals

Approvals

- VDE Certificate Number: 40011871
- UL File Number: E96454
- CSA File Number: 27324

References

Alternative: protection class II version

Weblinks

[pdf](#), [html](#), [General Product Information](#), [Approvals](#), [RoHS](#), [CHINA-RoHS](#), [Mating Connectors](#), [e-Store](#), [SCHURTER-Stock-Check](#), [Distributor-Stock-Check](#), [Accessories](#)

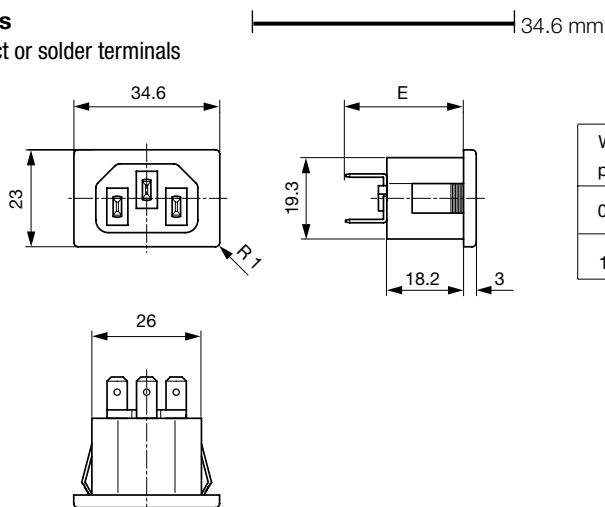
Technical Data

Ratings IEC	10A / 250VAC; 50/60Hz
Ratings UL/CSA	15A / 250VAC; 60Hz
Dielectric Strength	> 2.5kVAC between L-N > 1.5kVAC between L/N-PE (1 min/50Hz)
Allowable Operation Temp.	-25 °C to 70 °C
Degree of Protection	from front side IP 20 acc. to IEC 60529
Protection Class	Suitable for appliances with protection class 1 or 2 acc. to IEC 61140
Terminal	Solder, Quick Connect or Screw Terminals
Panel Thickness s	Snap-in version 0.8 - 1.5/1.6 - 2.0 mm
Material: Housing	PA6, black / grey / white, UL 94V-0

Appliance Inlet	C14 acc. to IEC/EN 60320-1 UL 498, CSA C22.2 no. 42 (for cold conditions) pin-temperature 70 °C, 10A, Protection Class 1 or 2
-----------------	--

Dimensions

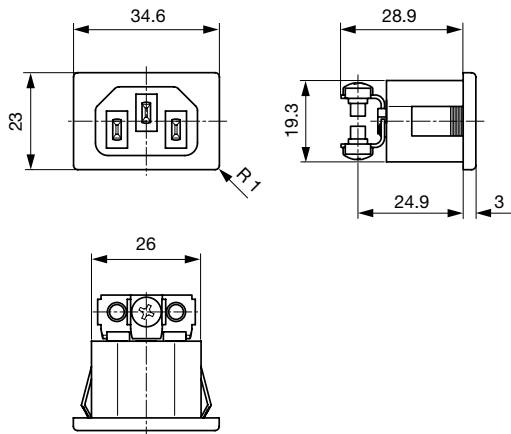
Quick connect or solder terminals



Wandstärke panel thickness	Ausbruchmasse panel cutout
0.8 - 1.5 mm	28.8 ^{+0.2} x 19.4 ^{+0.2} mm
1.6 - 2.0 mm	29.6 ^{+0.2} x 19.4 ^{+0.2} mm

- E: Solder terminals short: 23.7 mm
- E: Solder terminals long: 27.1 mm
- E: Quick connect terminals 4.8x0.8 mm: 27.9 mm
- E: Quick connect terminals 6.3x0.8 mm: 28.9 mm

Screw terminals



Wandstärke panel thickness	Ausbruchmasse panel cutout
0.8 - 1.5 mm	28.8 ^{+0.2} x 19.4 ^{+0.2} mm
1.6 - 2.0 mm	29.6 ^{+0.2} x 19.4 ^{+0.2} mm

Config. Code

1061 - H - A B C 0 - D - E

The characters are placeholders for the correspondingly keys of selections from the key tables.

1061 - **H** - A B C 0 - D - E = Type

Type	Configuration key
protection class 2	B
protection class 1	X

1061 - H - **A** B C 0 - D - E = Terminals

Terminal L	Configuration key
short solder terminal (L = 4.8 mm)	2
long solder terminal (L = 8.5 mm)	3
Blade terminal (4.8 x 0.8 mm)	8
Blade terminal (6.3 x 0.8 mm)	9
screw terminal	A

1061 - H - A **B** C 0 - D - E = Terminals

Terminal N	Configuration key
short solder terminal (L = 4.8 mm)	2
long solder terminal (L = 8.5 mm)	3
Blade terminal (4.8 x 0.8 mm)	8
Blade terminal (6.3 x 0.8 mm)	9
screw terminal	A

Symbols similar as in table A

1061 - H - A B **C** 0 - D - E = Terminals

Terminal Ground	Configuration key
without terminal	0
short solder terminal (L = 4.8 mm)	2
long solder terminal (L = 8.5 mm)	3
Blade terminal (4.8 x 0.8 mm)	8
Blade terminal (6.3 x 0.8 mm)	9
screw terminal	A

Symbols similar as in table A

1061 - H - A B C 0 - **D** - E = Color

Color	Configuration key
jet black; RAL9005	A
silver grey; RAL7001	B
pure white; RAL9010	D

1061 - H - A B C 0 - D - **E** = Style

Style	Configuration key
snap-in standard type	3

Variants

Config. Code	Description	Order Number
1061-B-2200-A-3	1061, IEC Appliance Inlet C14, 70°C, version: 1 or 2, L: short solder terminal (L = 4.8 mm), N: short solder terminal (L = 4.8 mm), ground: without terminal, color: jet black; RAL9005, design: snap-in standard type, dimension X: , features:	6162.0003
1061-B-9900-A-3	1061, IEC Appliance Inlet C14, 70°C, version: 1 or 2, L: Blade terminal (6.3 x 0.8 mm), N: Blade terminal (6.3 x 0.8 mm), ground: without terminal, color: jet black; RAL9005, design: snap-in standard type, dimension X: , features:	6162.0004
1061-X-2220-A-3	1061, IEC Appliance Inlet C14, 70°C, version: 1 or 2, L: short solder terminal (L = 4.8 mm), N: short solder terminal (L = 4.8 mm), ground: short solder terminal (L = 4.8 mm), color: jet black; RAL9005, design: snap-in standard type, dimension X: , features:	6162.0005
1061-X-2220-B-3	1061, IEC Appliance Inlet C14, 70°C, version: 1 or 2, L: short solder terminal (L = 4.8 mm), N: short solder terminal (L = 4.8 mm), ground: short solder terminal (L = 4.8 mm), color: silver grey; RAL7001, design: snap-in standard type, dimension X: , features:	6162.0006
1061-X-3330-A-3	1061, IEC Appliance Inlet C14, 70°C, version: 1 or 2, L: long solder terminal (L = 8.5 mm), N: long solder terminal (L = 8.5 mm), ground: long solder terminal (L = 8.5 mm), color: jet black; RAL9005, design: snap-in standard type, dimension X: , features:	6162.0007
1061-X-3330-B-3	1061, IEC Appliance Inlet C14, 70°C, version: 1 or 2, L: long solder terminal (L = 8.5 mm), N: long solder terminal (L = 8.5 mm), ground: long solder terminal (L = 8.5 mm), color: silver grey; RAL7001, design: snap-in standard type, dimension X: , features:	6162.0008
1061-X-8880-A-3	1061, IEC Appliance Inlet C14, 70°C, version: 1 or 2, L: Blade terminal (4.8 x 0.8 mm), N: Blade terminal (4.8 x 0.8 mm), ground: Blade terminal (4.8 x 0.8 mm), color: jet black; RAL9005, design: snap-in standard type, dimension X: , features:	6162.0009
1061-X-9990-A-3	1061, IEC Appliance Inlet C14, 70°C, version: 1 or 2, L: Blade terminal (6.3 x 0.8 mm), N: Blade terminal (6.3 x 0.8 mm), ground: Blade terminal (6.3 x 0.8 mm), color: jet black; RAL9005, design: snap-in standard type, dimension X: , features:	6162.0010
1061-X-9990-B-3	1061, IEC Appliance Inlet C14, 70°C, version: 1 or 2, L: Blade terminal (6.3 x 0.8 mm), N: Blade terminal (6.3 x 0.8 mm), ground: Blade terminal (6.3 x 0.8 mm), color: silver grey; RAL7001, design: snap-in standard type, dimension X: , features:	6162.0011
1061-B-3300-A-3	1061, IEC Appliance Inlet C14, 70°C, version: 1 or 2, L: long solder terminal (L = 8.5 mm), N: long solder terminal (L = 8.5 mm), ground: without terminal, color: jet black; RAL9005, design: snap-in standard type, dimension X: , features:	6162.0160

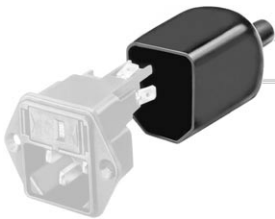
The listet variants should be available from stock Other versions on request www.schurter.com/contact

Packaging unit

50 Pcs

Accessories

Description



Assorted Covers
Rear Cover

Mating Outlets/Connectors

Category / Description

ConnectorOverview complete



IEC Connector C15, Rewireable, Straight	0101
IEC Connector C15A, Rewireable, Straight	0102
IEC Connector C15A, Rewireable, Straight	0102-G
IEC Connector C15A, Rewireable, Angled	0112
IEC Connector C13, Rewireable, Angled	4012

[Connectorfurther types to1061](#)

...



Interconnection CordOverview complete

Interconnection Cord C13/C14, 10 A	6007.0212
------------------------------------	-----------

[Interconnection Cordfurther types to1061](#)

Category / Description



Power Cord Overview complete

Power Cord with IEC Connector C13, Angled	0311
Power Cord with IEC Connector C13, Angled	3011
Power Cord with IEC Connector C13, Angled	3012
Power Cord with IEC Connector C13, Angled	3013
Power Cord with IEC Connector C13	3020
Power Cord further types to 1061	...

Power Supply Cord Overview complete



EU Power Supply Cord with IEC Connector C13, straight	6003.0215
EU Power Supply Cord with IEC Connector C13, straight	6004.0215
CH Power Supply Cord with IEC Connector C13, straight	6011.0215
IT Power Supply Cord with IEC Connector C13, straight	6026.0215
UK Power Supply Cord with IEC Connector C13, straight	6043.0114
Power Supply Cord further types to 1061	...

Power Supply or Interconnection Cord Overview complete



Power Supply Cord with IEC Connector C13 straight, stripped end	6000.0214
Power Supply Cord with IEC Connector C13 angled, stripped end	6000.0224
Divers Power Supply and Interconnection Cords 10 A	6003.0204
Divers Power Supply and Interconnection Cords 10 A	6003.0205
Interconnection Cord C13/C14, 10 A	6007.0214
Power Supply or Interconnection Cord further types to 1061	...