

Line Switch, fits to Felcom



Line switch



Description

- Component:
 - Snap-in version from front side
- 1 Function:
 - Line Switch 2-pole
- For PCB mounting, fits to Felcom

Characteristics

- Line switch non-illuminated
- Qualified for use in equipment according IEC/EN 60950

Other versions on request

- Other rocker marking

References

Weblinks

pdf, html, General Product Information, Approvals, RoHS, CHINA-RoHS, Mating Connectors, e-Store, SCHURTER-Stock-Check, Distributor-Stock-Check, Accessories

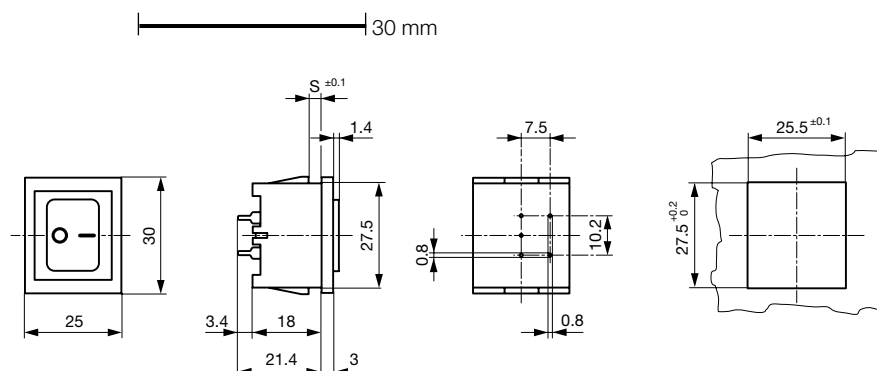
Technical Data

Ratings IEC	10 A / 250VAC; 50 Hz
Ratings UL/CSA	15 A / 125/250VAC; 60 Hz
Allowable Operation Temp.	-25 °C to 70 °C
Degree of Protection	from front side IP 40 acc. to IEC 60529
Protection Class	Suitable for appliances with protection class 1 acc. to IEC 61140
Terminal	For PCB mounting
Panel Thickness s	Snap-in: 1/1.2/1.5/2/2.5/3 mm
Material: Housing	Thermoplastic, black, UL 94V-0

Line Switch	Rocker switch 2-pole, non-illuminated, IEC 61058-1
	Technical details

Dimensions

Line switch



Variants

Type	Panel Thickness s [mm]	Line Switch	Fuseholder	Inlet	Outlet	Order Number
Switch	1	2-pole	-	-	-	6050.5510
Switch	1.2	2-pole	-	-	-	6050.5512
Switch	1.5	2-pole	-	-	-	6050.5515
Switch	2	2-pole	-	-	-	6050.5520
Switch	2.5	2-pole	-	-	-	6050.5525
Switch	3	2-pole	-	-	-	6050.5530

Packaging unit

50 Pcs
