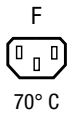


IEC Appliance Outlet F, mates to Felcom



Appliance outlet



70° C

**Description**

- Component:  
Snap-in version from front side
- 1 Function:  
Connector Protection class I
- For PCB mounting fits to Felcom

**Characteristics**

- Qualified for use in equipment according IEC/EN 60950

**References****Weblinks**

[pdf](#), [html](#), [General Product Information](#), [Approvals](#), [RoHS](#), [CHINA-RoHS](#), [Mating Connectors](#), [e-Store](#), [SCHURTER-Stock-Check](#), [Distributor-Stock-Check](#), [Accessories](#)

**Technical Data**

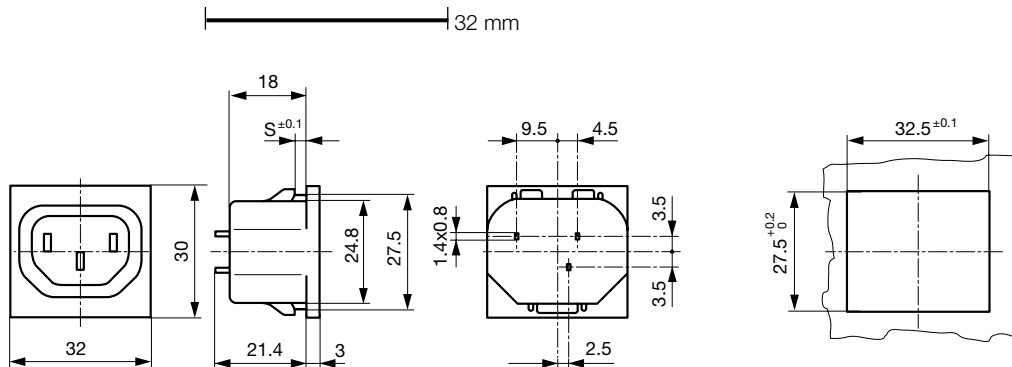
Ratings IEC	10A / 250VAC; 50Hz
Ratings UL/CSA	15A / 125/250VAC; 60Hz
Allowable Operation Temp.	-25 °C to 70 °C
Degree of Protection	from front side IP 40 acc. to IEC 60529
Protection Class	Suitable for appliances with protection class 1 acc. to IEC 61140
Terminal	For PCB mounting
Panel Thickness s	Snap-in: 1/1.2/1.5/2/2.5/3 mm
Material: Housing	Thermoplastic, black, UL 94V-0

Appliance Outlet

F acc. to IEC/EN 60320-2-2, UL 498, CSA C22.2 no. 42 (for cold conditions) pin-temperature 70 °C, 10A, Protection Class 1

**Dimensions**

Appliance outlet

**Variants**

Type	Panel Thickness s [mm]	Line Switch	Fuseholder	Inlet	Outlet	Order Number
Outlet	1	-	-	-	F	6650.4510
Outlet	1.2	-	-	-	F	6650.4512
Outlet	1.5	-	-	-	F	6650.4515
Outlet	2	-	-	-	F	6650.4520
Outlet	2.5	-	-	-	F	6650.4525
Outlet	3	-	-	-	F	6650.4530

**Packaging unit**

50 Pcs

## Mating Inlets/Plugs

## Category / Description

[Interconnection Cord Overview complete](#)

Interconnection Cord with IEC Plug E, Angled	0607
--	------

Interconnection Cord with IEC Plug E, Angled	0608
--	------

Interconnection Cord with IEC Plug E, Straight	0609
--	------

Interconnection Cord with IEC Plug G, Angled	607B
--	------

Interconnection Cord with IEC Plug G, Angled	608B
--	------

<a href="#">Interconnection Cord further types to 6650</a>	...
--	-----

[Plug Overview complete](#)

IEC Plug E, Cord Connector (Rewireable), Straight, max. cable Diameter 8.5 mm	4732
---	------

IEC Plug E, Cord Connector (Rewireable), Angled, max. Cable Diameter 10 mm	4733
--	------

IEC Plug E, Cord Connector (Rewireable), Straight, max. Cable Diameter 10 mm	4735
--	------

IEC Plug E, Cord Connector (Rewireable), Angled, max. Cable Diameter 10 mm	4736
--	------

IEC Plug E, Cord Connector (Rewireable), Straight	9009
---	------

<a href="#">Plug further types to 6650</a>	...
--	-----