

## IEC Appliance Inlet C20 with Line Switch, 1- or 2-pole

Snap-In Version or Screw-On Version  
illuminated versionC20  
  
70° C**Description**

- Panel Mount:  
Screw-on version from front or rear side, snap-in version from front side
- 2 Functions:  
Appliance Inlet Protection class I, Line Switch 2-pole
- Quick connect terminals 6.3 x 0.8 mm

**Approvals**

- VDE Certificate Number: 40001031
- UL File Number: E96454

**Characteristics**

- All single elements are already wired  
Unwired versions available on request
- Line switch non-illuminated or illuminated
- Ideal for application with high transient loads
- Qualified for use in equipment according IEC/EN 60950

**Other versions on request**

- Unwired versions
- Line switch with other rocker marking
- For protection class II
- Variant with notch for V-Lock mating Cordsets

**References**Alternative: version with line filter [EC12](#)**Weblinks**

[pdf](#), [html](#), [General Product Information](#), [Approvals](#), [RoHS](#), [CHINA-RoHS](#), [Mating Connectors](#), [e-Store](#), [SCHURTER-Stock-Check](#), [Distributor-Stock-Check](#), [Accessories](#), [Wire Harness](#)

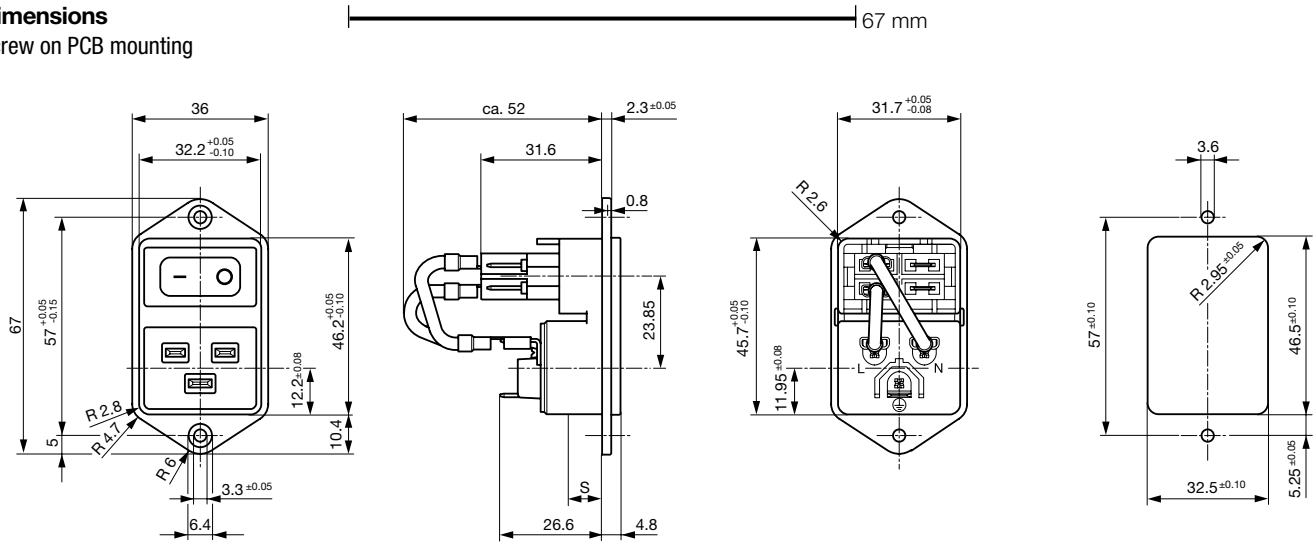
Newly available variants corresponding to V-Lock mating cordset. The connector is equipped with a notch intended for use with the latching cordset. The cord latching system prevents against accidental removal of the cordset.

**Technical Data**

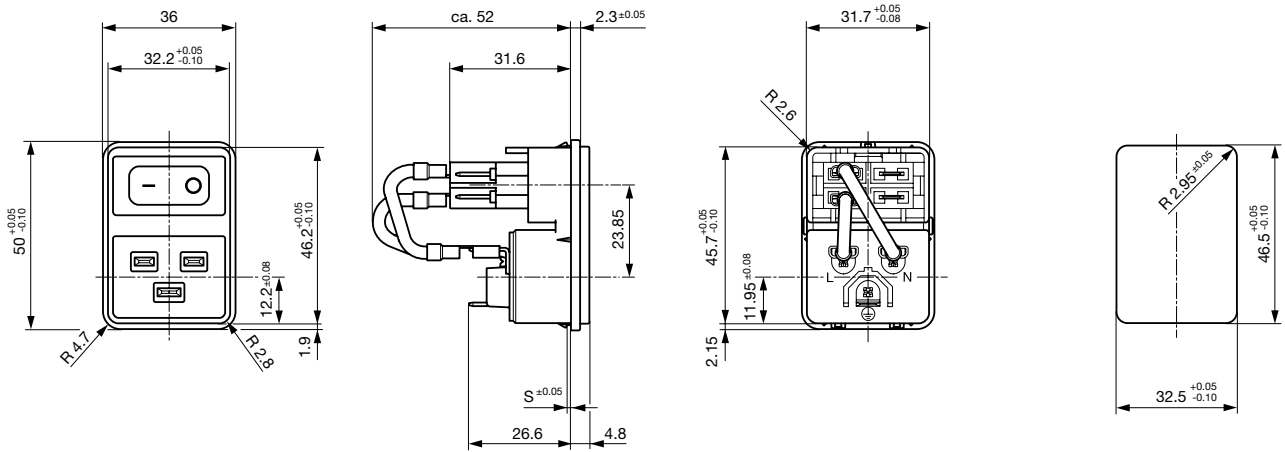
Ratings IEC	16A / 250VAC; 50Hz	Appliance Inlet	C20 acc. to IEC/EN 60320-1, UL 498, CSA C22.2 no. 42 (for cold conditions) pin-temperature 70 °C, 16A, Protection Class 1
Ratings UL/CSA	20A / 250VAC; 60Hz	Line Switch	Rocker switch 2-pole, non-illuminated or illuminated, acc. to IEC 61058-1 <a href="#">Technical details</a>
Dielectric Strength	> 2.5 kVAC between L-N > 3 kVAC between L/N-PE (1 min/50 Hz)		
Allowable Operation Temp.	-25 °C to 70 °C		
Degree of Protection	from front side IP 40 acc. to IEC 60529		
Protection Class	Suitable for appliances with protection class 1 acc. to IEC 61140		
Terminal	Quick connect terminals 6.3 x 0.8 mm		
Panel Thickness s	Screw: max 8 mm Mounting screw torque max 0.5 Nm Snap-in: 1.5/2/2.5 mm		
Material: Housing	Thermoplastic, black, UL 94V-0		

## Dimensions

Screw on PCB mounting

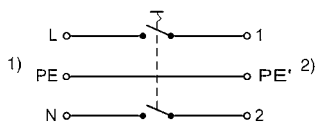


## Snap-in mounting



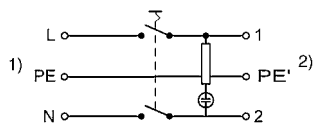
## Diagrams

Line switch non-illuminated



1) Line  
2) Load

Line switch illuminated



1) Line  
2) Load

## Variants

with internal connections

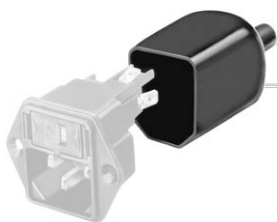
Panel mounting	Panel Thickness s [mm]	Illumination	Color	Internally wired	Order Number
Screw	-	-	-	-	EC11.0001.002
Screw	-	●	red	●	EC11.0021.001
Screw	-	●	red	-	EC11.0021.002
Screw	-	●	green	●	EC11.0031.001
Screw	-	●	green	-	EC11.0031.002
Screw	6	-	-	●	EC11.0001.001
Screw	6	-	-	●	EC11.0001.001.21
Snap-in	1.5	-	-	●	EC11.0001.201
Snap-in	1.5	-	-	-	EC11.0001.202
Snap-in	1.5	●	red	●	EC11.0021.201
Snap-in	1.5	●	red	-	EC11.0021.202
Snap-in	1.5	●	green	●	EC11.0031.201
Snap-in	1.5	●	green	-	EC11.0031.202
Snap-in	2	-	-	●	EC11.0001.301
Snap-in	2	-	-	●	EC11.0001.301.21
Snap-in	2	-	-	-	EC11.0001.302
Snap-in	2	●	red	●	EC11.0021.301
Snap-in	2	●	red	-	EC11.0021.302
Snap-in	2	●	green	●	EC11.0031.301
Snap-in	2	●	green	-	EC11.0031.302
Snap-in	2.5	-	-	●	EC11.0001.401
Snap-in	2.5	-	-	-	EC11.0001.402
Snap-in	2.5	●	red	●	EC11.0021.401
Snap-in	2.5	●	red	-	EC11.0021.402
Snap-in	2.5	●	green	●	EC11.0031.401
Snap-in	2.5	●	green	-	EC11.0031.402

Suffix "21" corresponds to the version with V-Lock mating cordset. The connector is equipped with a notch intended for use with the latching cordset. The cord latching system prevents against accidental removal of the cordset.

**Packaging unit** 25 Pcs

## Accessories

### Description



Assorted Covers  
Rear Cover

0859.0076



Wire Harness  
Wire harness for SCHURTER products



[Cord retaining kits](#)  
Cord retaining strain relief

Flat head, Z	0888.0021
Flat head, H	4700.0008

## Mating Outlets/Connectors

Category / Description

[Connector Overview complete](#)



IEC Connector C19, Rewireable, Straight	0104
IEC Connector C19, Rewireable, Angled	1651
IEC Connector C19, Rewireable, Straight	1652
IEC Connector C19, Rewireable, Angled	4790
IEC Connector C19, Rewireable, Straight	4795

[Connector further types to EC11](#)



[Power Cord Overview complete](#)

Power Cord with IEC Connector C19, Straight	1654
---	------

[Power Cord further types to EC11](#)



[Power Plug \(Mains Socket\) Overview complete](#)

US Power Supply Cord with IEC Connector C19, straight	6009.5195
---	-----------

[Power Plug \(Mains Socket\) further types to EC11](#)



[Power Supply or Interconnection Cord Overview complete](#)

Divers Power Supply and Interconnection Cords 10 A	4300.0920
Divers Power Supply and Interconnection Cords 16 A	6003.0395

[Power Supply or Interconnection Cord further types to EC11](#)